

Date \_\_\_\_\_  
 AVFI Sales REP \_\_\_\_\_  
 Customer Signature \_\_\_\_\_


Quote No. \_\_\_\_\_  
 Customer No. \_\_\_\_\_  
 AVFI No. \_\_\_\_\_

Office Use Only

To generate your order form, please refer to the information provided below to insert the alphabetic and/or numeric code in the respective category boxes. Please note that without this filled out Order Form, your purchase **cannot** be processed.

1	2	3	4
Product Model	Finish	Chargeable Accessories (One Code Per Box)	Custom Cutouts
<b>MS215ET</b>			


**1** Product Model



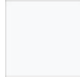
Code **MS215ET**

Note: Metal legs, ganging connectors and hardware are included.

**2** Choose Product Finish



**ART**



**CWT**

**Comments** (Please use this section to provide additional information)

---



---



---



---



---

**3** Chargeable Accessories (Check all that apply)

Code **00** No Accessories

Code **E1** **PB** 6 Outlet Power Bar .....Qty \_\_\_\_\_

Code **EA** **CUB4S** Silver Power Panel .....Qty \_\_\_\_\_

Code **EB** **CUB4B** Black Power Panel .....Qty \_\_\_\_\_

Code **EC** **CHGQIW** Wireless Charging Station White.....Qty \_\_\_\_\_

Code **ED** **CHGQI-DNGL** Dongle Lightning, 30 pin, Micro-USB Qty \_\_\_\_\_

**Note:**  
 Codes **EA, EB, EC** (2 Maximum. Cutout required for each accessory)  
 Code **ED** require **CHGQIW**

**Notes**

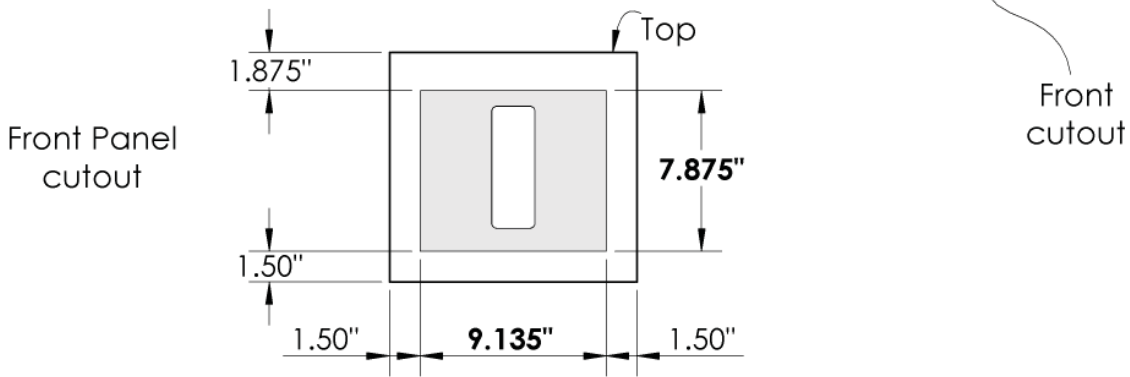
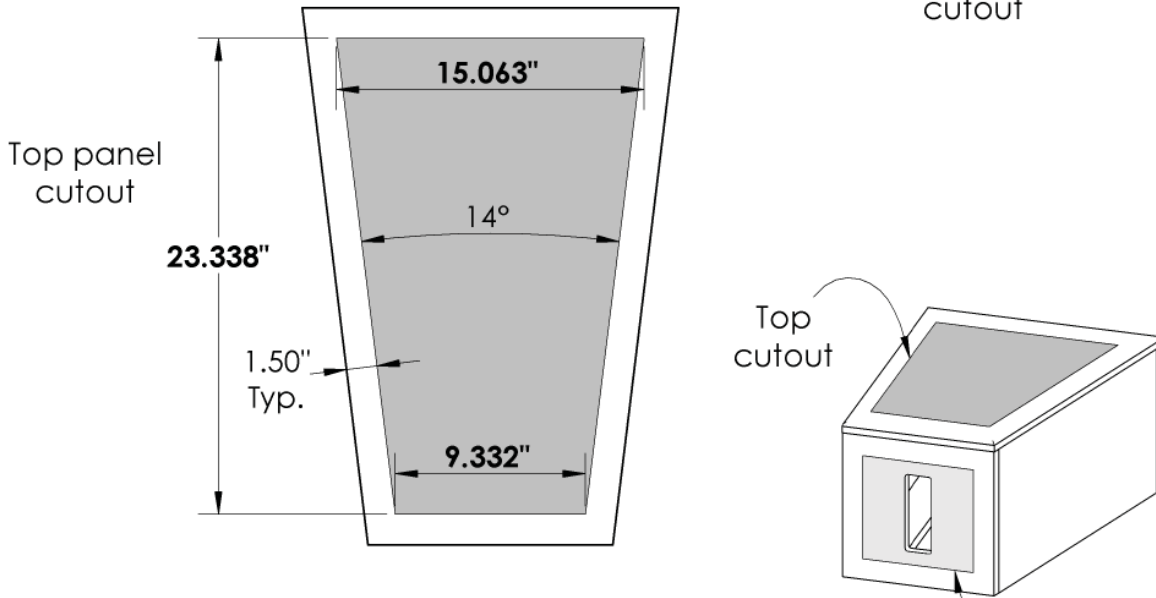
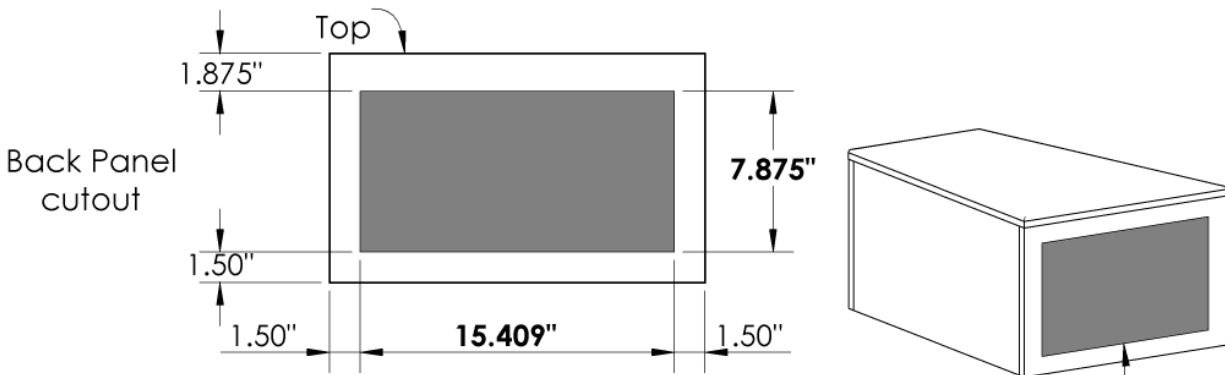
**CAD Drawings/Symbols**  
 CAD drawings are available by request at sales@vegroup.net

**Custom Cutouts**  
 Estimated lead time within 20 business days from receipt of P.O. and signed drawings.

Custom Cutout Option on Page 2

Please indicate custom cutout location on the drawing(s) below

**4 Custom Cutout Option (Extra charges will apply)**



Code **CO** No Custom Cutout

Code **CC** Custom Cutout (Specify on Cutout Area Above)

■ Cutout Area - Front Panel (9.135" W X 7.875" H)

■ Cutout Area - Top Panel (9.332"/15.063" W X 23.338" D)

■ Cutout Area - Back Panel (15.509" W X 7.875" H)