

Date _____
 AVFI Sales REP _____
 Customer Signature _____

Quote No. _____
 Customer No. _____
 AVFI No. _____

Office Use Only

To generate your order form, please refer to the information provided below to insert the alphabetic and/or numeric code in the respective category boxes. Please note that without this filled out Order Form, your purchase **cannot** be processed.

1 Product Model	2 Finishes		3 Chargeable Accessories (One Code Per Box)							4 Custom Cutouts
	Fabric	Table Top								
MS200-01 SET										

1 Product Model

Code **MS200-01 SET**



*Monitor not included

Standard Components Included:

- 5x MS223SW (Seat Wedge), 2x MS223IB (Inside Back),
- 1x MS223OB (Outside Back), 1x MS242CT (Coffee Table),
- 1x MS245IT (Inside Standing Table), 1x CHLD245 (Cup Holder),
- 2x MS215ET (End Table), 1x SYZ42 (Mobile Stand),
- 2x CUB4 (Power Panel), 1x CHGQIW (Wireless Charging Station White),
- 1x CHGQI-DNGL (Dongle Lightning, 30 pin, Micro-USB)

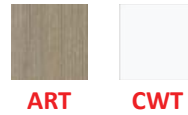
Note: Metal legs, ganging connectors and hardware are included.

2 Choose Product Finish

Fabrics



Table Top Finishes



Comments (Please use this section to provide additional information)

3 Chargeable Accessories (Check all that apply)

- Code **00** No Accessories
- Code **E1** **PB 6 Outlet Power Bar**Qty _____
- Code **EA** **CUB4S Silver Power Panel**Qty _____
- Code **EB** **CUB4B Black Power Panel**Qty _____
- Code **EC** **CHGQIW Wireless Charging Station White**.....Qty _____
- Code **ED** **CHGQI-DNGL Dongle Lightning, 30 pin, Micro-USB**Qty _____
- Code **N7** **CHLD45 Cup Holder, available for MS245IT Standing Table (2 max)**Qty _____

Note: Codes **EA, EB, EC** are available for the **MS215ET End Table** (2 Maximum. Cutout required for each accessory). Code **ED** require **CHGQIW**

Notes

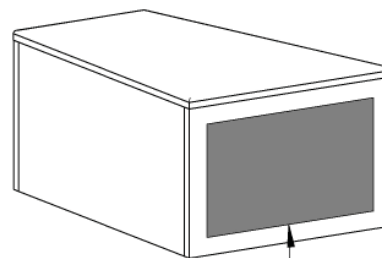
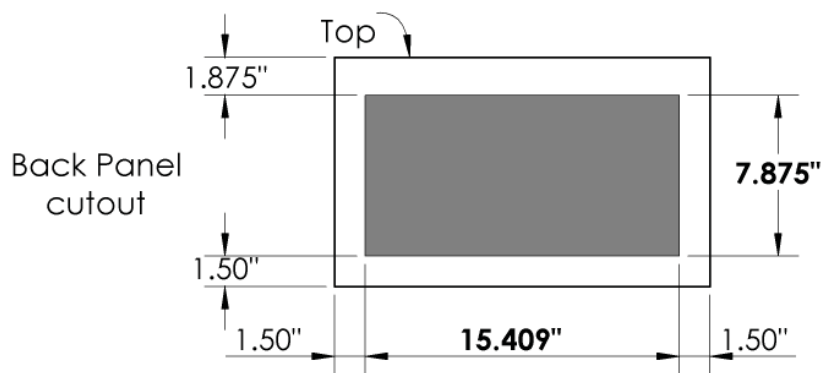
CAD Drawings/Symbols
 CAD drawings are available by request at sales@vegroup.net
Custom Cutouts
 Estimated lead time within 20 business days from receipt of P.O. and signed drawings.

Custom Cutout Option on Page 2 (Available for MS215ET End Table Only)

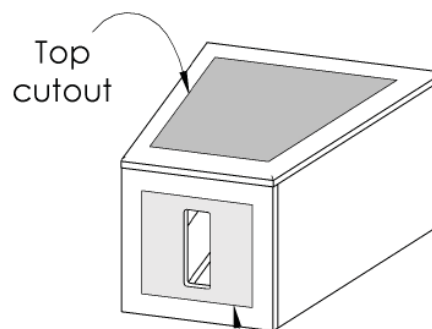
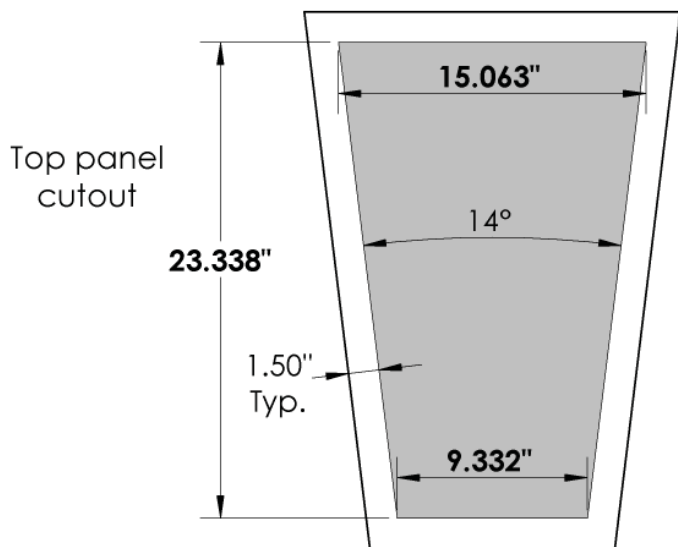
Please indicate custom cutout location on the drawing(s) below

4 Custom Cutout Option (Extra charges will apply)

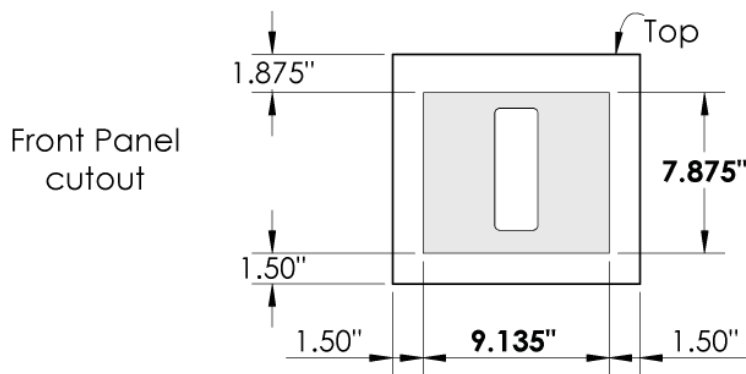
MS215ET End Table



Back cutout



Top cutout



Front cutout

Code **CO** No Custom Cutout

Code **CC** Custom Cutout (Specify on Cutout Area Above)

 Cutout Area - Front Panel (9.135" W X 7.875" H)

 Cutout Area - Top Panel (9.332"/15.063" W X 23.338" D)

 Cutout Area - Back Panel (15.509" W X 7.875" H)